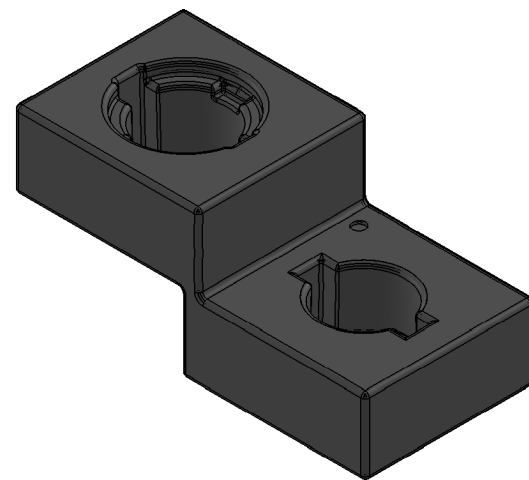
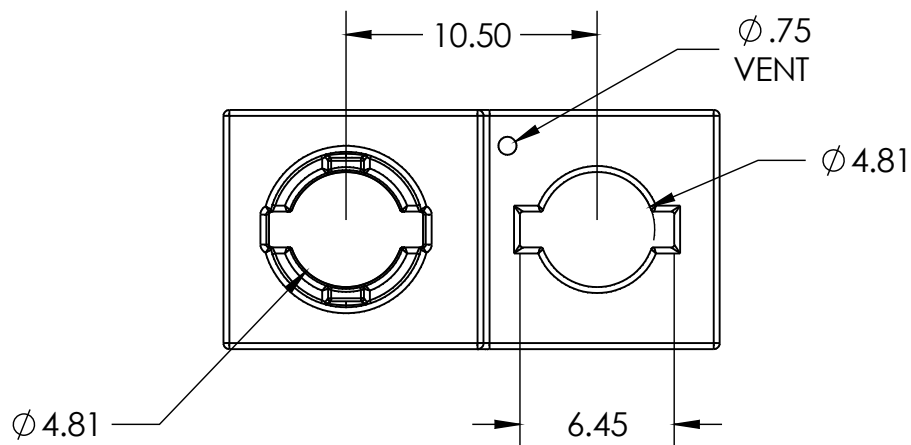
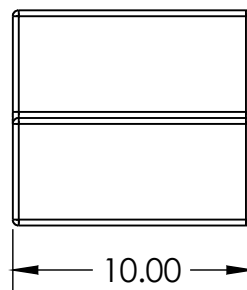
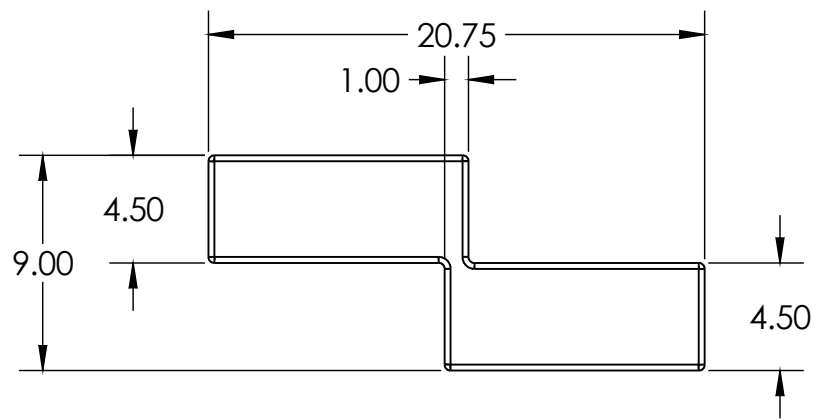


LS to XL Link

B



B



A

REV	DESCRIPTION	DATE	NAME	DRAWN	JC	12/16/19	LS to XL		
A	RELEASED	12/16/19	JC	Q.A.			TITLE: LINK LS SINGLE		
				UNLESS OTHERWISE SPECIFIED:			SIZE		
				DIMENSIONS ARE IN INCHES			DWG. NO.		
				TOLERANCES:			REV		
				ANGULAR: MACH ± 1 BEND ± 1			A 1042 A		
				TWO PLACE DECIMAL ± 0.03			SCALE: 1:8		
				THREE PLACE DECIMAL ± 0.01			SHOT WEIGHT: 5#		
				MATERIAL			SHEET 1 OF 1		
				MDPE					
				FINISH					
				PROPRIETARY AND CONFIDENTIAL THE INFORMATION CONTAINED IN THIS DRAWING IS THE SOLE PROPERTY OF RHINO ROTATIONAL MOLDING. ANY REPRODUCTION IN PART OR AS A WHOLE WITHOUT THE WRITTEN PERMISSION OF RHINO ROTATIONAL MOLDING IS PROHIBITED.					

A

2

1